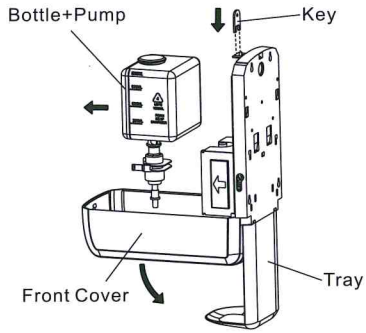
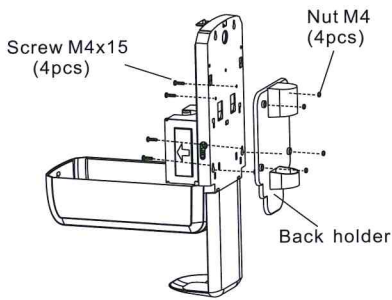


Installation for stand components

1. Open it with key, take out the bottle and pump

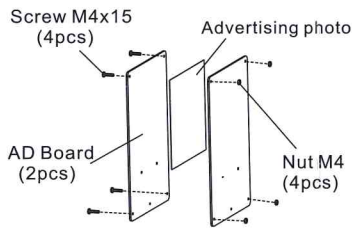


2. Install the back holder with dispenser



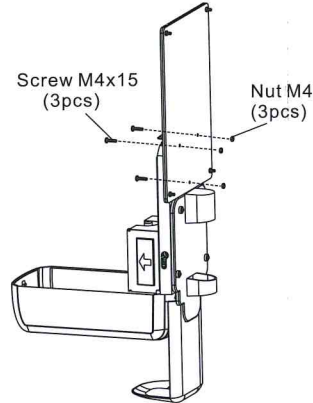
A Install Back Holder

1. Put Advertising photo inside of 2 pcs AD board

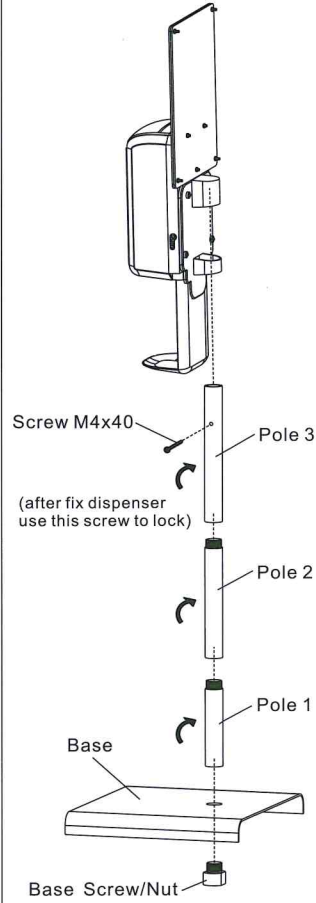


* Advertising photo size: 18x 18cm

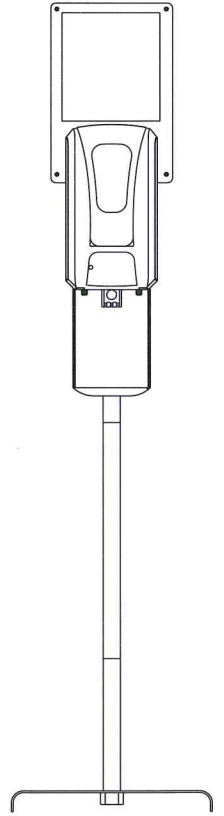
2. Install the AD Board on dispenser



B Install AD Board (If Needed)



C Install Pole and Base

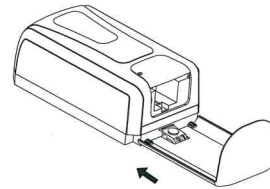
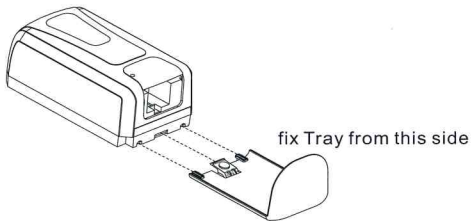


* fix 4 pcs C size batteries, fill liquid and turn on the switch. enjoy your health hand sanitizing.

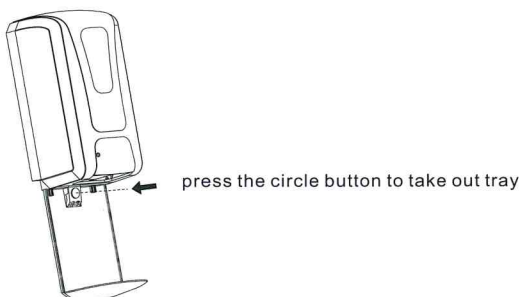
D Enjoy hand sanitizing

TRAY INSTALLATION

Soap Dispenser



A Installation



B Take out Tray

